

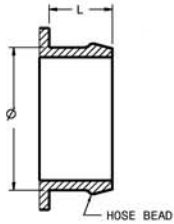
# Garrett® GTX3076R

by Honeywell

803713-1

## Compressor Inlet

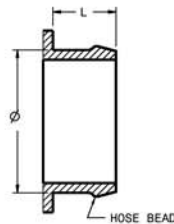
HOSE CONNECTIONS  
TABULATED AS (Ø x L)



Ø 102 x 31.75

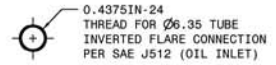
## Compressor Outlet

HOSE CONNECTIONS  
TABULATED AS (Ø x L)



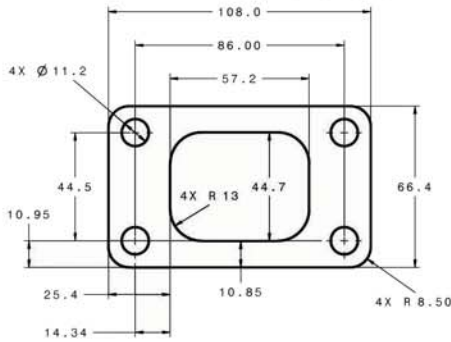
Ø 50.8 x 30

## Oil Inlet

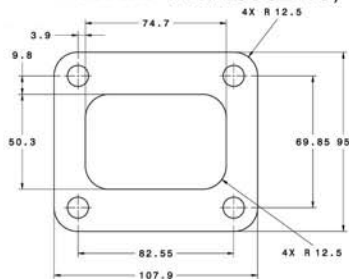


## Turbine Inlet

"T3" PN74902-1, 2, 3, 7, 8, 9

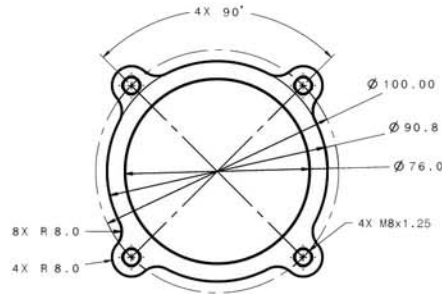


"T4 UNDIVIDED" PN740902-13, 14, 15

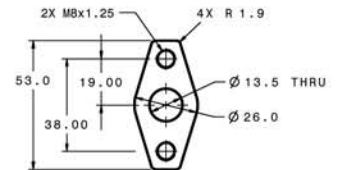


## Turbine Outlet

"3-INCH 4 BOLT" PN740902-1, 2, 3



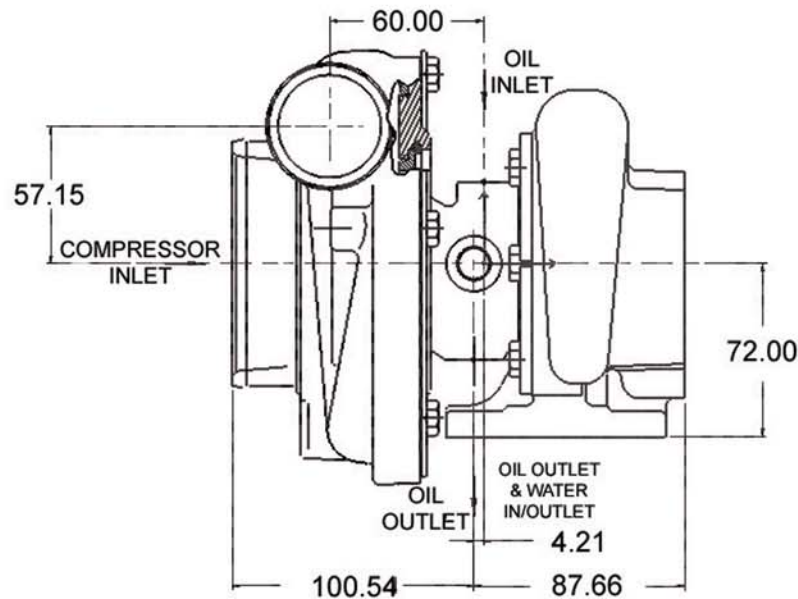
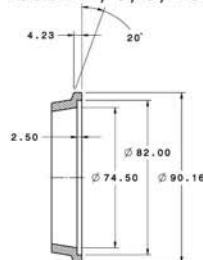
## Oil Outlet



## Water

M14 x 1.50

PN740902-7, 8, 9, 13, 14, 15



All Measurements in MM

TurboByGarrett.com